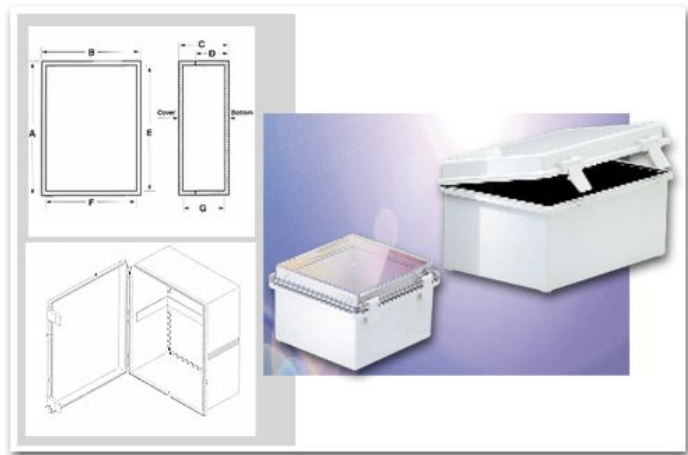




Bud Industries, Inc.

QUALITY ENCLOSURES

Plastic Boxes UL/NEMA/IEC NBB Series



Most of these gasketed enclosures have been tested and approved to UL508-4x specifications, with a few being approved to UL50-4x. All enclosures meet NEMA 1, 2, 4, 4x, 12, 13 and IEC529-IP66 requirements, which allows them to be used in many wet, dirty and/or corrosive environments.

Design Features

- Designed to IP66 of IEC 529 and NEMA 1, 2, 4, 4x, 12, and 13 specifications.
- UL Listed to UL508-4x requirements
- **Indoor Versions:**
 - ABS plastic enclosures are molded out of light gray material with UL94-HB flammability rating. (Not UL Listed)
 - ABS/PC blended plastic enclosures are molded out of light gray material with UL94-5VA flammability rating. Suggested service temperature range -40C to +70C.
 - Clear doors, for all models, are molded out of polycarbonate material with UL94-V0 flammability rating
- **Outdoor Versions:**
 - *PC/PBT blended plastic enclosures are molded out of light gray material with UL94-5VA flammability rating and UV stabilized
- **Economy Versions:**
 - ABS plastic enclosures are molded out of light gray material with UL94-HB flammability rating. (Not UL Listed)
 - All plastic construction

PLASTIC BOXES - NBB SERIES

ABS Version Catalog Number**	UL508-4X Indoor Version Catalog Number		UL508-4X Outdoor Version Catalog Number		Dwgs.	External Dimensions				Internal Dimensions			Wgt. Lbs.
	Solid Door	Solid Door	Clear Door	Clear Door		A	B	C	D	E	F	G	
NBB-22220	NBB-10220	NBB-10230	*	*	PDF DXF	5.11"	3.94"	2.75"	1.96"	4.37"	3.18"	2.53"	0.5
NBB-22221	NBB-10221	NBB-10231	*	*	PDF DXF	5.90"	3.94"	2.75"	1.96"	5.11"	3.18"	2.53"	0.6
NBB-22222	NBB-10222	NBB-10232	*	*	PDF DXF	7.87"	3.94"	2.75"	1.96"	7.08"	3.18"	2.53"	0.7
NBB-22223	NBB-10223	NBB-10233	*	*	PDF DXF	10.63"	3.94"	2.75"	1.96"	9.88"	3.18"	2.53"	1.1
NBB-22240	NBB-10240	NBB-10260	NBB-15240	*	PDF DXF	5.90"	5.90"	3.57"	2.75"	5.04"	5.04"	3.27"	1.2
NBB-22241	NBB-10241	NBB-10261	*	*	PDF DXF	10.73"	6.79"	4.33"	3.15"	9.84"	5.90"	4.07"	1.7
NBB-22243	NBB-10243	NBB-10263	NBB-15243	*	PDF DXF	11.28"	7.47"	5.50"	4.33"	10.46"	6.65"	5.25"	2.2
NBB-22245	NBB-10245	NBB-10265	NBB-15245	*	PDF DXF	13.00"	13.00"	7.04"	5.86"	12.14"	12.14"	6.79"	4.4
NBB-22247	NBB-10247	NBB-10267	NBB-15247	*	PDF DXF	15.68"	11.73"	6.30"	5.11"	14.88"	10.89"	6.03"	4.2
NBB-22251	NBB-10251	NBB-10271	*	*	PDF DXF	14.52"	10.55"	5.90"	4.72"	13.74"	9.76"	5.64"	3.5
NBB-22253	NBB-10253	NBB-10273	NBB-15253	*	PDF DXF	19.17"	14.64"	7.85"	6.67"	18.33"	13.75"	7.60"	6.6
NBB-22258	NBB-10258	NBB-10278	NBB-15258	*	PDF DXF	28.91"	21.03"	9.87"	8.66"	27.56"	19.67"	9.53"	17.2

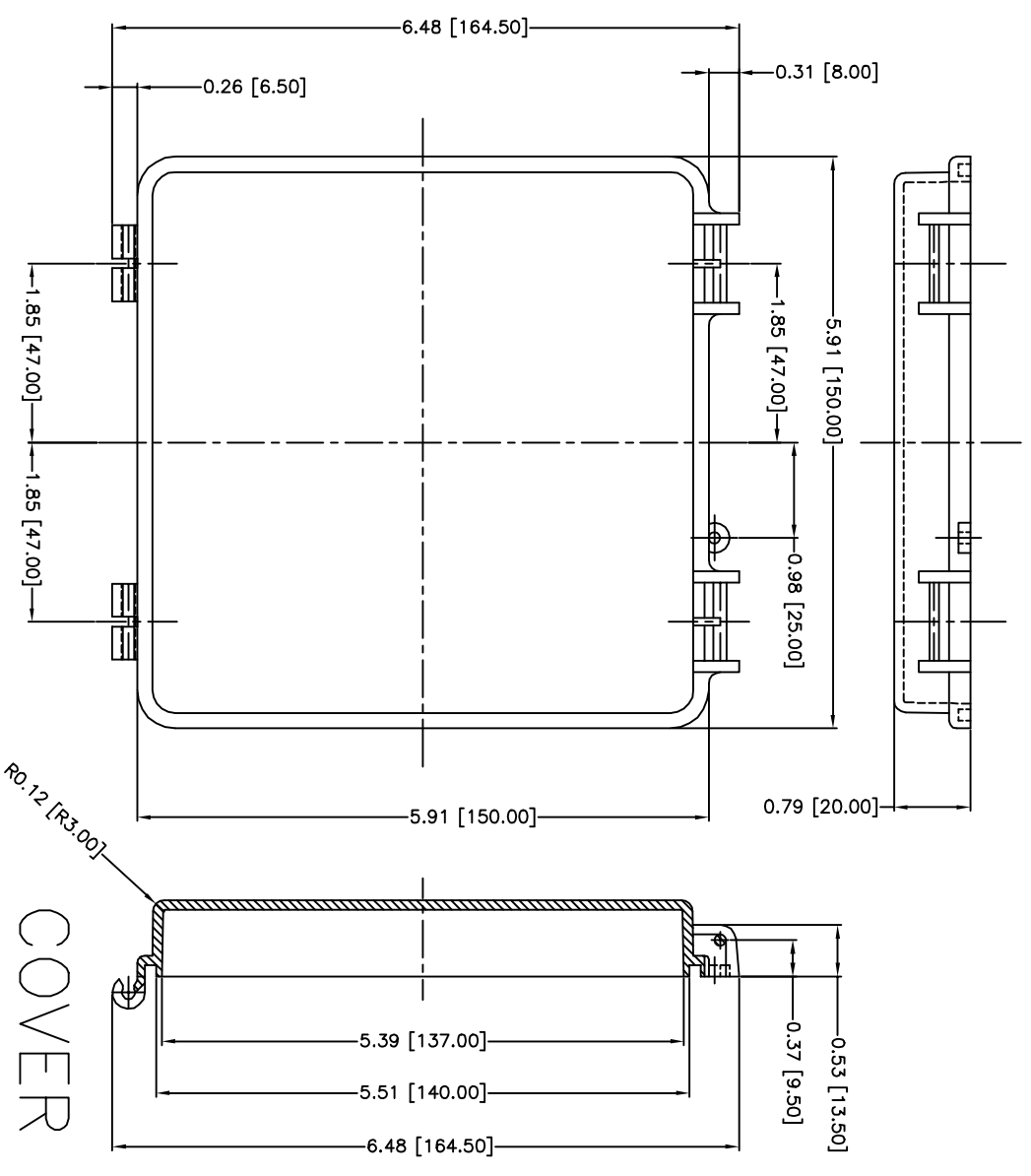
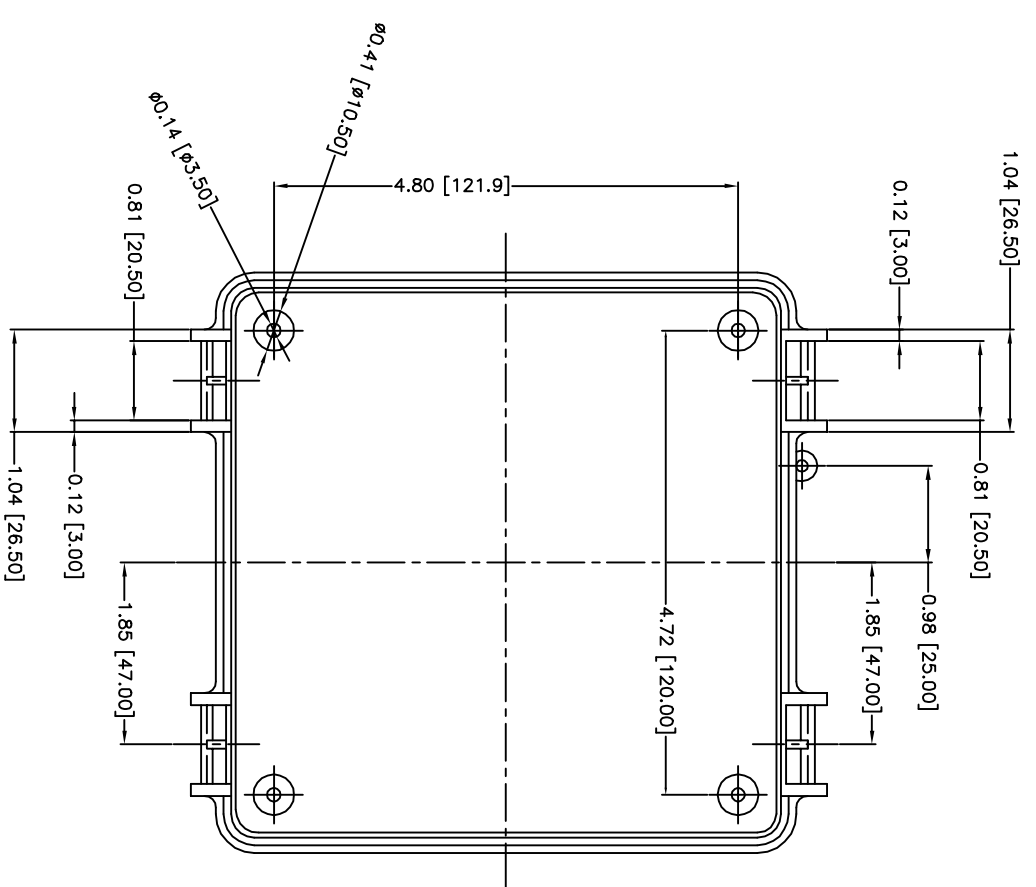
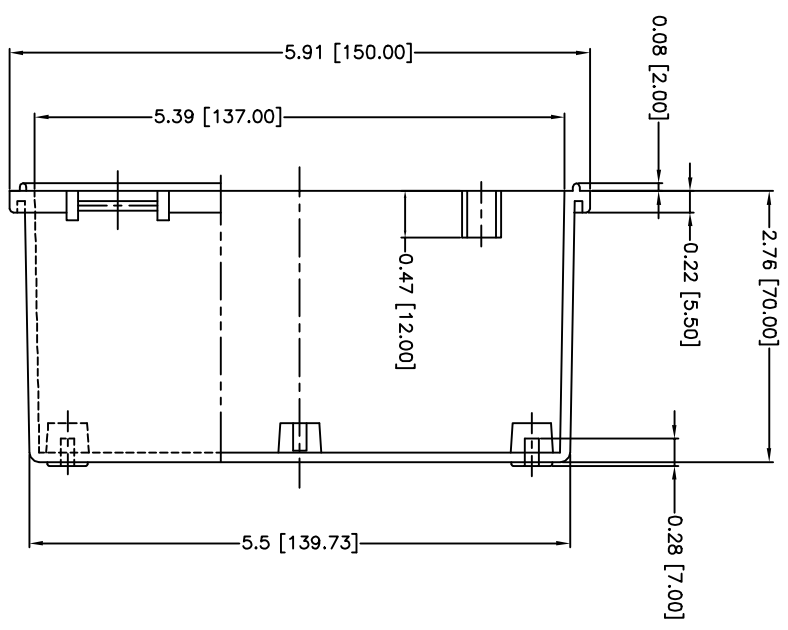
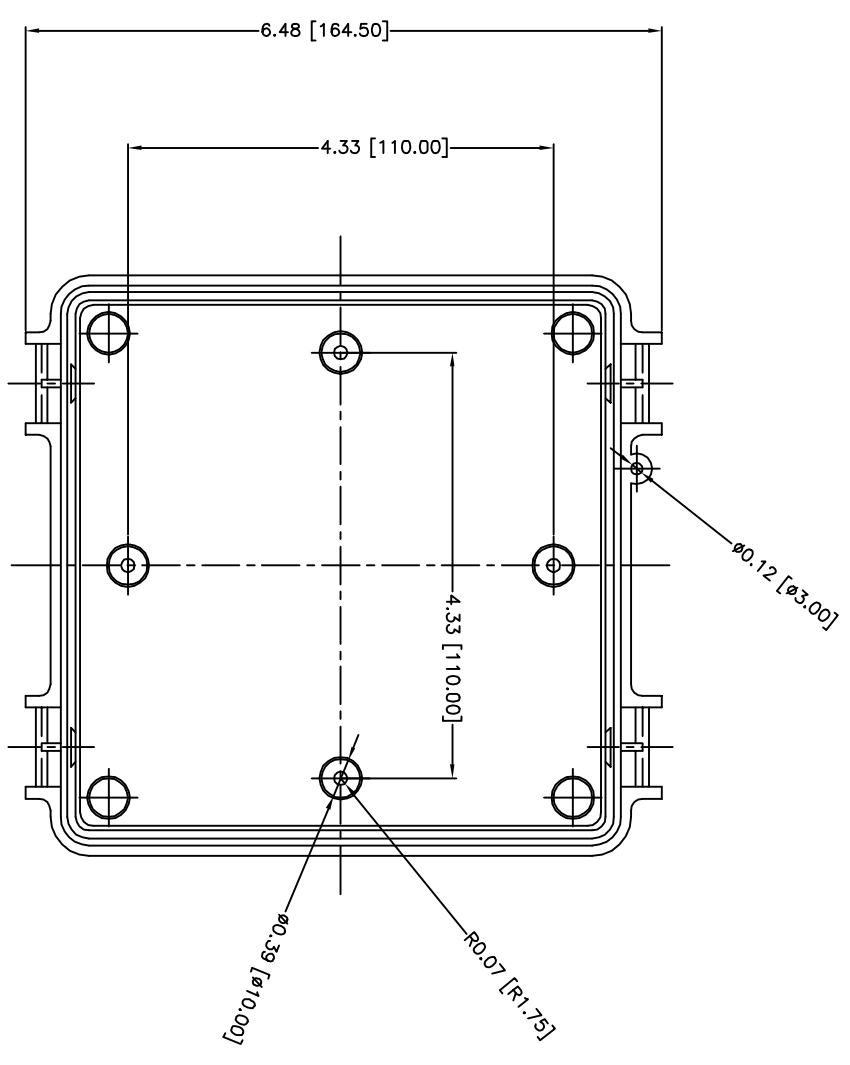
[CLICK HERE FOR ACCESSORIES](#)

* Contact factory for quotation. ** Not UL Listed

PLASTIC BOXES - NBB ECONOMY SERIES

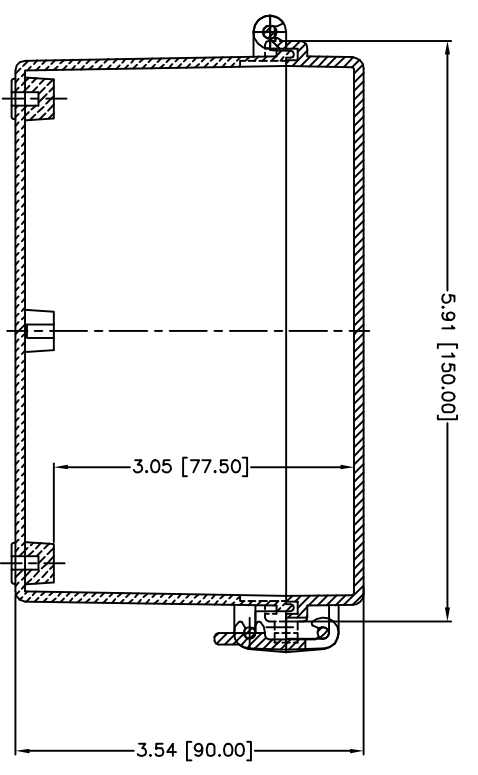
Catalog Number**	Dwgs.	External Dimensions				Internal Dimensions			Wgt. Lbs.
		A	B	C	D	E	F	G	
NBB-32640	PDF DXF	5.90"	5.90"	3.57"	2.76"	5.30"	5.30"	3.35"	0.8
NBB-32643	PDF DXF	11.28"	7.47"	6.30"	5.12"	10.85"	6.91"	6.09"	2.8
NBB-32647	PDF DXF	15.68"	11.73"	6.30"	5.12"	14.75"	10.81"	6.09"	5.6
NBB-32653	PDF DXF	19.17"	14.64"	6.30"	5.12"	18.76"	14.74"	6.06"	9.6





COVER

BODY



ASSEMBLY

DIMENSIONS = INCHES
[MILLIMETERS]

NOTE: ALL DIMENSIONS HAVE
±0.039 [±1] TOLERANCE
UNLESS OTHERWISE SPECIFIED

MATERIAL:
BODY, COVER & LATCHES _____ ABS PLASTIC

FINISH:
BODY, COVER & LATCHES _____ LIGHT GRAY
COVER IS GASKETED.

BODY, COVER & LATCHES: UL 94-HB FLAMMABILITY RATING
-40°C TO +60°C TEMPERATURE RANGE

OPTIONAL ACCESSORIES (PURCHASED SEPARATELY):
AIR AND MOISTURE VENTS

INDUSTRY STANDARDS:
NEMA TYPE 1, 2, 4, 4X, 12 AND 13
IEC529, IP66

QTY.	USED ON	TOLERANCES:	ITEM/REGRD.	PART NO.	DESCRIPTION
		±0.05 BETWEEN HOLE CENTERS	MAT.	AS NOTED	SCALE
		±0.02 FROM SHEETED EDGE	FINISH	AS NOTED	BIBD
		±0.03 BETWEEN SURFACE	DWG. RD.	T-28-09	NEMA ECONOMY BOX (STYLE B)
		UNLESS OTHERWISE SPECIFIED APP.	CH.		BUD INDUSTRIES, INC. VILLADGIBBY, OHIO
					DWG. NO. NBB-32640